

DS-2CD2045FWD-I 4 MP IR Fixed Bullet Network Camera



Key Features

- 1/2.5" Progressive Scan CMOS
- 2688 × 1520 @30 fps
- 2.8, 4, 6, 8, 12 mm fixed lens
- H.265+, H.265, H.264+, H.264
- 4 Behavior analyses
- 120dB WDR
- Powered by Darkfighter
- IR range: up to 30 m
- BLC/3D DNR/ROI/HLC
- IP67
- Built-in microSD/SDHC/SDXC card slot, up to 128 GB
- Color: 0.008 lux @(F1.2, AGC ON), 0.014 lux @(F1.6, AGC ON), 0 lux with IR



Specification

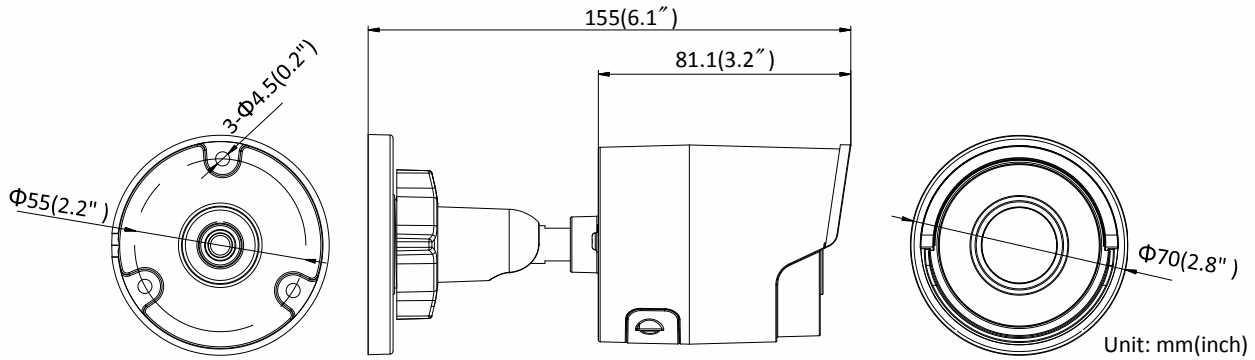
Camera	
Image Sensor	1/2.5" Progressive Scan CMOS
Min. Illumination	Color: 0.008 lux @(F1.2, AGC ON), 0.014 lux @(F1.6, AGC ON), 0 lux with IR
Shutter Speed	1/3 s to 1/100,000 s
Slow Shutter	Yes
Day & Night	IR Cut Filter
Digital Noise Reduction	3D DNR
WDR	120dB
3-Axis Adjustment	Pan: 0° to 360°, tilt: 0° to 90°, rotate: 0° to 360°
Lens	
Focal Length	2.8, 4, 6, 8, 12 mm
Aperture	F1.6
Focus	Fixed
FOV	2.8 mm, horizontal FOV: 109°, vertical FOV: 60°, diagonal FOV: 131° 4 mm, horizontal FOV: 88°, vertical FOV: 46°, diagonal FOV: 105° 6 mm, horizontal FOV: 53°, vertical FOV: 30°, diagonal FOV: 61° 8 mm, horizontal FOV: 41°, vertical FOV: 23°, diagonal FOV: 48° 12 mm, horizontal FOV: 25°, vertical FOV: 14°, diagonal FOV: 29°
Lens Mount	M12
IR	
IR Range	Up to 30 m
Wavelength	850nm
Compression Standard	
Video Compression	Main stream: H.265/H.264 Sub-stream: H.265/H.264/MJPEG Third stream: H.265/H.264
H.264 Type	Main Profile/High Profile
H.264+	Main stream supports
H.265 Type	Main Profile
H.265+	Main stream supports
Video Bit Rate	32 Kbps to 16 Mbps
Smart Feature-set	
Smart Event	Line crossing detection, intrusion detection, unattended baggage detection, object removal detection, face detection, scene change detection
Basic Event	Motion detection, video tampering alarm, exception (network disconnected, IP address conflict, illegal login, HDD full, HDD error)
Linkage Method	Trigger recording: memory card, network storage, pre-record and post-record Trigger captured pictures uploading: FTP, HTTP, NAS, Email Trigger notification: HTTP, ISAPI, Email
Region of Interest	Support 1 fixed region for main stream and sub-stream
Image	
Max. Resolution	2688 × 1520
Main Stream	50Hz: 25 fps (2688 × 1520, 2304 × 1296, 1920 × 1080, 1280 × 720) 60Hz: 30 fps (2688 × 1520, 2304 × 1296, 1920 × 1080, 1280 × 720)
Sub-Stream	50Hz: 25 fps (640 × 480, 640 × 360, 320 × 240)

	60Hz: 30 fps (640 × 480, 640 × 360, 320 × 240)
Third Stream	50Hz: 25 fps (1280 × 720, 640 × 360, 352 × 288) 60Hz: 30 fps (1280 × 720, 640 × 360, 352 × 240)
Image Enhancement	BLC/3D DNR/HLC
Image Setting	Rotate mode, saturation, brightness, contrast, sharpness, AGC, and white balance adjustable by client software or web browser
Target Cropping	No
SVC	H.264 and H.265 encoding support
Day/Night Switch	Day/Night/Auto/Schedule
Network	
Network Storage	Support microSD/SDHC/SDXC card (128G), local storage and NAS (NFS, SMB/CIFS), ANR
Protocols	TCP/IP, UDP, ICMP, HTTP, HTTPS, FTP, DHCP, DNS, DDNS, RTP, RTSP, RTCP, PPPoE, NTP, UPnP, SMTP, SNMP, IGMP, 802.1X, QoS, IPv6, UDP, Bonjour, SSL/TLS
General Function	Anti-flicker, three streams, heartbeat, mirror, privacy masks, password reset via e-mail, pixel counter, HTTP listening
API	ONVIF (PROFILE S, PROFILE G, PROFILE T), ISAPI, SDK
Security	Password protection, complicated password, HTTPS encryption, 802.1X authentication (EAP-TLS 1.2, EAP-LEAP, EAP-MD5), watermark, IP address filter, basic and digest authentication for HTTP/HTTPS, WSSE and digest authentication for ONVIF, TLS1.2
Simultaneous Live View	Up to 6 channels
User/Host	Up to 32 users 3 levels: Administrator, Operator and User
Client	iVMS-4200, Hik-Connect, Hik-Central
Web Browser	Plug-in required live view: IE8+ Plug-in free live view: Chrome 57.0+, Firefox 52.0+, Safari 11+ Local Service: Chrome 41.0+, Firefox 30.0+
Interface	
Video Output	No
Communication Interface	1 RJ45 10M/100M self-adaptive Ethernet port
On-board storage	Built-in microSD/SDHC/SDXC slot, up to 128 GB
Reset Button	Yes
General	
Operating Conditions	-30 °C to +60 °C (-22 °F to +140 °F), humidity 95% or less (non-condensing)
Web Client Language	32 languages English, Russian, Estonian, Bulgarian, Hungarian, Greek, German, Italian, Czech, Slovak, French, Polish, Dutch, Portuguese, Spanish, Romanian, Danish, Swedish, Norwegian, Finnish, Croatian, Slovenian, Serbian, Turkish, Korean, Traditional Chinese, Thai, Vietnamese, Japanese, Latvian, Lithuanian, Portuguese (Brazil)
Power Supply	12 VDC ± 25%, Φ 5.5 mm coaxial plug power PoE(802.3af, class 3)
Power Consumption and Current	12 VDC, 0.5 A, max. 5.5 W PoE (802.3af, 36V to 57V), 0.2 A to 0.1 A, max. 7 W
Protection Level	IP67
Material	Metal
Dimensions	Camera: Φ70 × 155 mm (Φ2.8" × 6.1") Package: 216 × 121 × 118 mm (8.5" × 4.8" × 4.7")
Weight	Camera: 410 g (0.9 lb.)

Available Model

DS-2CD2045FWD-I (2.8/4/6/8/12 mm)

Dimension



Accessory



DS-1280ZJ-XS
Junction Box



DS-1280ZJ-XS(Black)
Junction Box

Distributed by

HIKTEHRAN
 نماینده مجاز فروش محصولات هایک ویزن
www.hikvisiontehran.com
 66765923 – 66765968

HIKVISION®

Headquarters

No.555 Qianmo Road, Binjiang District,
 Hangzhou 310051, China
 T +86-571-8807-5998
overseasbusiness@hikvision.com

Hikvision USA
 T +1-909-895-0400
sales.usa@hikvision.com

Hikvision Italy
 T +39-0438-6902
info.it@hikvision.com

Hikvision Singapore
 T +65-6684-4718
sg@hikvision.com

Hikvision Africa
 T +27 (0) 0351172
sale.africa@hikvision.com

Hikvision Europe
 T +31-23-55-42-770
info.eu@hikvision.com

Hikvision France
 T +33(0)1-85-330-450
info.fr@hikvision.com

Hikvision Oceania
 T +61-2-8599-4233
salesau@hikvision.com

Hikvision Hong Kong
 T +852-2151-1761

Hikvision Middle East
 T +971-4-8816086
salesme@hikvision.com

Hikvision Spain
 T +34-91-737-16-55
info.es@hikvision.com

Hikvision Canada
 T +1-909-895-0400
sales.usa@hikvision.com

Hikvision Russia
 T +7-495-669-67-99
saleru@hikvision.com

Hikvision Poland
 T +48-22-460-01-50
poland@hikvision.com

Hikvision Korea
 T +82-31-731-8841
sales.korea@hikvision.com

Hikvision India
 T +91-22-28469900
sales@pramahikvision.com

Hikvision UK
 T +01628-902140
support.uk@hikvision.com

Hikvision Brazil
 T +55 11 3318-0050
Latam.support@hikvision.com