

## DS-2CD4125FWD-IZ 2MP Smart IP Indoor Dome Camera

**LIGHTFIGHTER**



The Lightfighter series Smart cameras are able to capture high quality colored images in back light environment. DS-2CD4125FWD offers Full HD resolution with up to 60fps high frame rate, 140dB WDR, PoE, Defog, 3D DNR and complete Smart Feature-set to meet a wide variety of applications.

### **M**smart IPC

DS-2CD4125FWD-IZ is Hikvision Smart IPC and features complete Smart functions including:

#### **Smart Detection**

Intrusion Detection, Line Crossing Detection, Object Left/Removal, Area Entering/Leaving, Scene Change Detection, Audio Surge Detection, Audio Loss Detection, Defocus Detection, Face Detection, Object Counting, etc.

#### **Smart Codec**

Smart Recording with dual-VCA, Low Bitrate, Low Latency, ROI enhancement, Multi-stream, Rotate Mode, Edge Recording, etc.

#### **Smart Image Control**

Support distortion correction

- 1/2.8" Progressive Scan CMOS
- 1080p @ 60fps frame rate
- High light environment
- Slow shutter
- 140dB WDR
- 3D DNR
- Audio/Alarm IO
- Support 128G on-board storage
- DC12V/PoE(802.3af)



## Key Features

### Smart

- 6 behavior analysis, 4 exception detections, 1 recognition, 1 statistic function.
- Smart recording: Support edge recording and dual-VCA.
- Smart encoding: Support low bit rate; low latency; ROI enhance encoding
- Smart lens options: AF lens

### Image

- HD 1920 × 1080@60fps
- Supports image distortion correction
- Support rotate mode, suitable for environment as corridor.
- Support regional cropping, details can be seen with low bandwidth.
- Code smoothness setting for different requirements of image quality and fluency.
- Support H.264+/H.264/MJPEG video compression, multi-level video quality configuration; support Basic/Main/High Profile H.264 encoding complexity.
- Multiple OSD color: Black & white self-adaptive; Custom
- Digital WDR is supportable for backlight environment.
- Support defog, BLC, HLC.

### Infrared

- Irradiation distance is up to 30m
- Smart IR, prevent over-exposure in close distance

### System

- Support ONVIF (profile S/profile G), CGI, PSIA, ISAPI protocol.
- Support three streams, and support 20 channels live view at the same time.
- AF automatic fast focus, maintain focused during zooming
- Anti-surge, anti-static, IK10 protection level.

### Interface

- Support standard 128G Micro SD/SDHC/SDXC card storage.
- Support 10M/100M/1000M Ethernet Port.
- Support Audio I/O, support dual channel stereo audio.
- Support Alarm I/O
- Support CVBS analog output (4CIF resolution)

### Security

- Support three-level user authentication management, user and password authorization, IP address filtering and anonymous access.
- Support security certificate as HTTPS, SSH; support creating certificate.
- Basic and digest authentication is supportable in IE configuration
- Lock user IP for many times error login

# DS-2CD4125FWD-IZ 2MP Smart IP Indoor Dome Camera

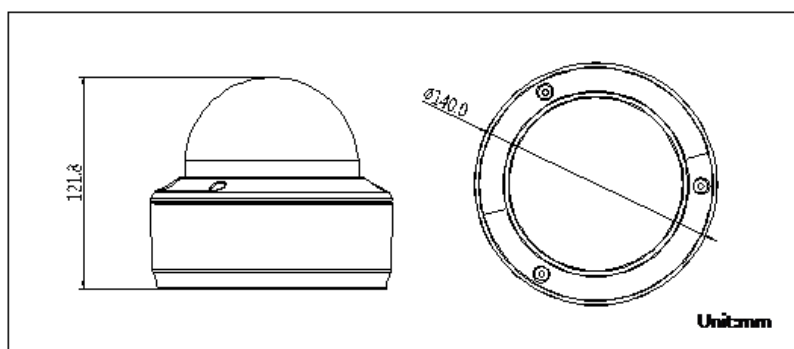
**LIGHTFIGHTER**



## Specification

| <b>Camera</b>               |   |
|-----------------------------|---|
| Image Sensor                | 1/2.8" Progressive Scan CMOS  |
| Min. Illumination           | 0.005 Lux @ (F1.2, AGC ON), 0 lux with IR<br>0.007 Lux @ (F1.4, AGC ON), 0 lux with IR  |
| Shutter Speed               | 1s ~ 1/100,000s   |
| Slow Shutter                | Support   |
| Lens                        | 2.8-12mm @ F1.4, angle of view: 113-33.8°   |
| Lens Mount                  | Φ14   |
| Angle Adjustment            | Pan: 0°-355°, Tilt: 0°-75°, Rotation: 0°-355°   |
| Auto-iris                   | DC drive  |
| Day & Night                 | Electronic (-I: IR cut filter with auto switch)   |
| WDR                         | 140dB   |
| <b>Compression Standard</b> |   |
| Video Compression           | H.264+/H.264/MJPEG  |
| H.264 Type                  | Baseline Profile / Main Profile / High Profile  |
| Video Bit Rate              | 32 Kbps – 16 Mbps   |
| Audio Compression           | G.711/G.722.1/G.726/MP2L2   |
| Audio Bit Rate              | 64Kbps(G.711) / 16Kbps(G.722.1) / 16Kbps(G.726) / 32-128Kbps(MP2L2)   |
| <b>Image</b>                |   |
| Max. Resolution             | 1920 × 1080   |
| Frame Rate                  | 50Hz: 50fps (1920 × 1080)/(1280 × 960)/(1280 × 720)<br>60Hz: 60fps (1920 × 1080)/(1280 × 960)/(1280 × 720)                            |
| Third Stream                | Independent with Main Stream and Sub Stream, up to 50/60Hz: 20fps(1280 × 720)   |
| Image Enhancement           | BLC/HLC/3D DNR/ROI/Defog  |
| Image Setting               | Rotate Mode, Saturation, Brightness, Contrast, Sharpness adjustable by client software or web browser                                 |
| Distortion Correction       | Support   |
| Regional Cropping           | Support   |
| Day/Night Switch            | Auto/Schedule/Triggered by Alarm In   |
| Picture Overlay             | LOGO picture can be overlaid on video with 128x128 24bit bmp format   |
| <b>Network</b>              |   |
| Network Storage             | NAS (Support NFS,SMB/CIFS), ANR   |
| Alarm Trigger               | Motion detection, Tampering alarm, Network disconnect, IP address conflict, Storage exception   |
| Protocols                   | TCP/IP, UDP, ICMP, HTTP, HTTPS, FTP, DHCP, DNS, DDNS, RTP, RTSP, RTCP, PPPoE, NTP, UPnP, SMTP, SNMP, IGMP, 802.1X, QoS, IPv6, Bonjour |
| Security                    | User Authentication, Watermark, IP address filtering, Anonymous access  |
| Standard                    | ONVIF(PROFILE S,PROFILE G),PSIA,CGI,ISAPI   |
| <b>Interface</b>            |   |
| Audio                       | 1-ch 3.5 mm audio in (Mic in/Line in)/out interface   |
| Communication Interface     | 1 RJ45 10M/100M/1000M Ethernet port, 1 RS-485 interface   |
| Alarm                       | 1 input, 1 output (up to DC24V 1A or AC110V 500mA )   |
| Video Output                | 1Vp-p composite output (75 Ω/BNC)   |
| On-board storage            | Built-in Micro SD/SDHC/SDXC slot, up to 128 GB  |
| Reset Button                | Yes   |

## Dimensions



### Audio

|                             |                                  |
|-----------------------------|----------------------------------|
| Environment Noise Filtering | Support                          |
| Audio I/O                   | Support dual audio track, stereo |
| Audio Sampling Rate         | 16kHz / 32kHz / 44.1kHz / 48kHz  |

### Smart Feature-set

|                         |   |
|-------------------------|---|
| Behavior Analysis       | Line crossing detection, Intrusion detection, Region entrance, Region exiting, Unattended baggage, Object removal |
| Line Crossing Detection | Cross a pre-defined virtual line  |
| Intrusion Detection     | Enter and loiter in a pre-defined virtual region  |
| Region Entrance         | Enter a pre-defined virtual region from the outside place   |
| Region Exiting          | Exit from a pre-defined virtual region  |
| Unattended Baggage      | Objects left over in the pre-defined region such as the baggage, purse, dangerous materials                       |
| Object Removal          | Objects removed from the pre-defined region, such as the exhibits on display.                                     |
| Exception Detections    | Scene change detection, Sudden audio increase/decrease detection, Audio loss detection, Defocus detection         |
| Recognition             | Face detection recognition  |
| Statistics              | Object Counting (Entrance and Exit object number is accounted and showed on screen in real time)                  |

### General

|                      |   |
|----------------------|---|
| Impact Protection    | IK10  |
| Protection Level     | IP66  |
| IR Distance          | 30m   |
| Operating Conditions | -30 °C – 60 °C (-22 °F – 140 °F), Humidity 95% or less (non-condensing) |
| Power Supply         | 12 V DC ± 10%, PoE (802.3af)  |
| Power Consumption    | Max. 6 W (Max. 9W, IR: 2W, motorized VF lens: 1W)                       |
| Dimensions           | Φ 140 × 121.8 mm (Φ 5.51" × 4.80")                                      |
| Weight               | 1400 g (3.09 lbs)   |

### Order Models

DS-2CD4125FWD-IZ

## Accessories



DS-1273ZJ-130B  
Wall Mount



DS-1273ZJ-130  
Wall Mount



DS-1271ZJ-130  
Pendant Mount



DS-1227ZJ  
In-ceiling Mount